

Product name: LED wardrobe light with PIR sensor

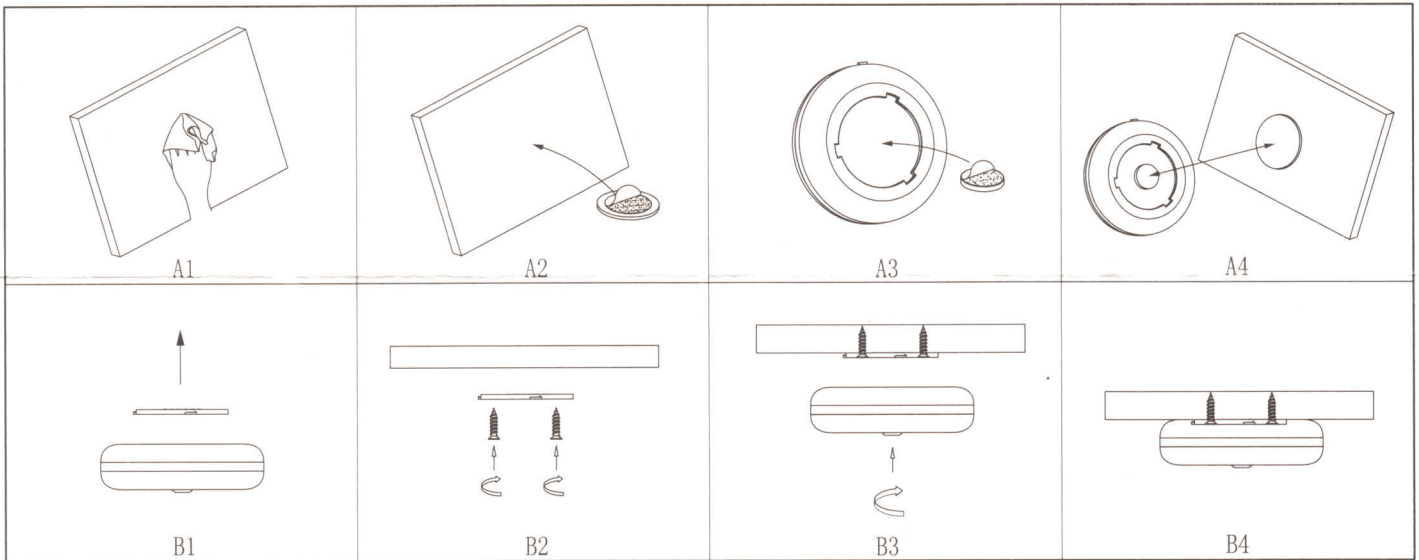
Product description : The unique class III insulated led wardrobe light with PIR sensor is designed based on infrared sensor application, with a USB rechargeable port and built in lithium battery.

Function introduction : There is a switch close to the USB port, slide to "on" mode, the light will switch on when detecting human moving within 1-3M detection range, the light will switch off after human leaving or stop moving for 15s. Once in low battery, slide to "off" mode, connecting the USB for recharging, when the red light is on, the battery is charging, green light means the battery has been fully charged, It stops automatically once fully charged.

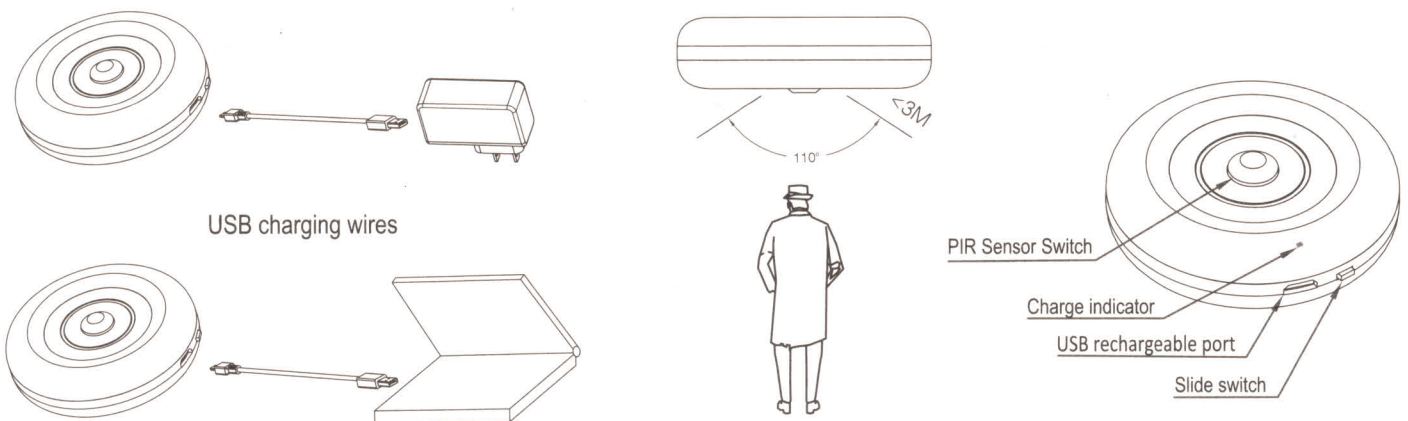
Product parameters:

Color temperature	WW/NW/CW
Wattage	1W
Charging voltage	DC5V(USB)
Charging time	2 or 3 hours
For continuously using time	last for 4-6 months at usage frequency 4-6 times per day
Standby current	<30uA

Installation instructions:



Operating instructions:



USB charging parameters: 5 V / 1 A

The light will switch on when detecting human moving within 1-3M detection range, the light will switch off after human leaving or stop moving for 15s. Once battery ran out, it can use mobile phone charger or computer's USB for recharging, when fully charged, remove the charger for normal installation and using.