



Space Heater Range

New Range of Gas and Electric Space Heaters

4 NEW MODELS

- Versatile Installation
- Easy to Use Control Panel
- No Wiring, Simply Plug In
- 3 Year Warranty



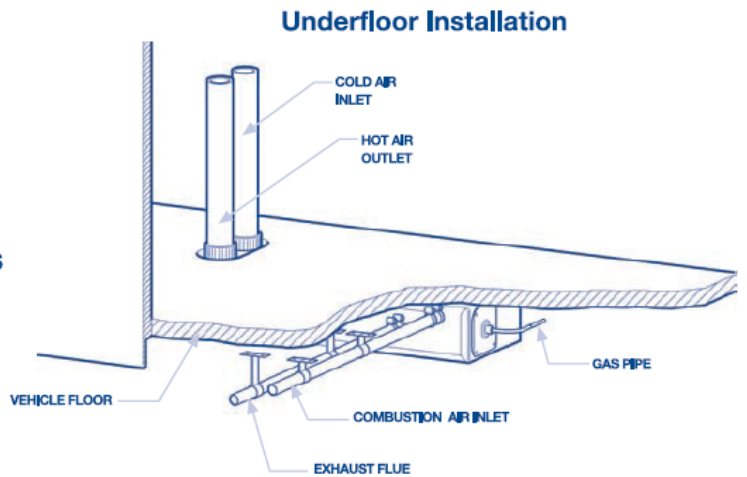
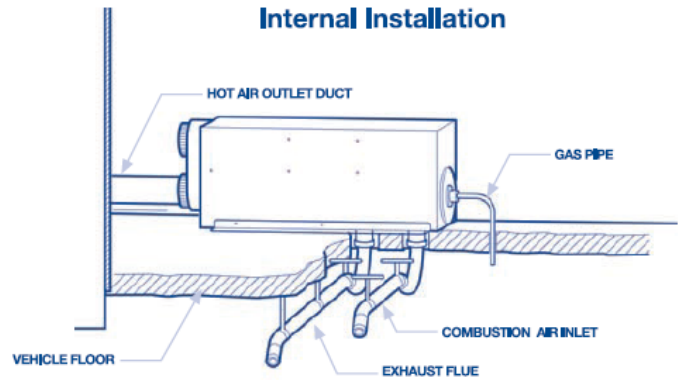
- Gas only or gas and electric versions
- Internal or underfloor installation options
- Simple and Intuitive to Use
- More compact installation
- Better Insulation
- Improved Service Access
- Lightweight Unit (from only 5.4kg)
- No internal flue or chimney required

Full range of gas and electric space heaters for underfloor or internal installation.
Suitable for caravans, motorhomes and mobile vehicles.

Features and Benefits

- **Choose from four new models**
 - Option of internal or underfloor installation
 - Option of gas only, or gas and electric models
- **Discreet and compact design**
 - Frees up valuable storage space
 - No internal flue or roof mounted chimney required
- **Versatile & lightweight**
 - Can be mounted in various locations
- **Rapid heat supply**
- **Simple to use control panel**
- **Energy efficient design**
 - Superior insulation
 - Low Voltage
 - Requires only 2kW gas or 2kW electric
 - Can run on either Butane or Propane gas
- **Easy Fault finding and servicing**
 - Built-in diagnostics system
 - Micro Process Controlled
 - Easily accessible components
- **Vehicle in motion approved for motorhomes**
- **Full range of stylish and practical vents and ducting fittings available**

Installation Options



TECHNICAL SPECIFICATIONS

MODEL SH2201 (Internal Gas Only)
 MODEL SH2202 (Internal Gas and Electric)
 MODEL SH2211B (Underfloor Gas Only)
 MODEL SH2212B (Underfloor Gas and Electric)

GAS	Gas Type	Butane and Propane (29/37 or 30mbar regulators)
	Heat Input (Gross)	2.0 kW
	Gas Connection	8mm Compression fitting
	Current Consumption, (12V)	1.6 Amps (<20W) (0.01 Amps on stand by)
	ELECTRIC	Supply
	Heat Input (Gross)	2.0 kW
	Max. Current Consumption, (230V)	9 Amps (2kW settings)
	Max. Current Consumption, (12V)	2.2 Amps (2kW settings)

Intuitive and simple controls

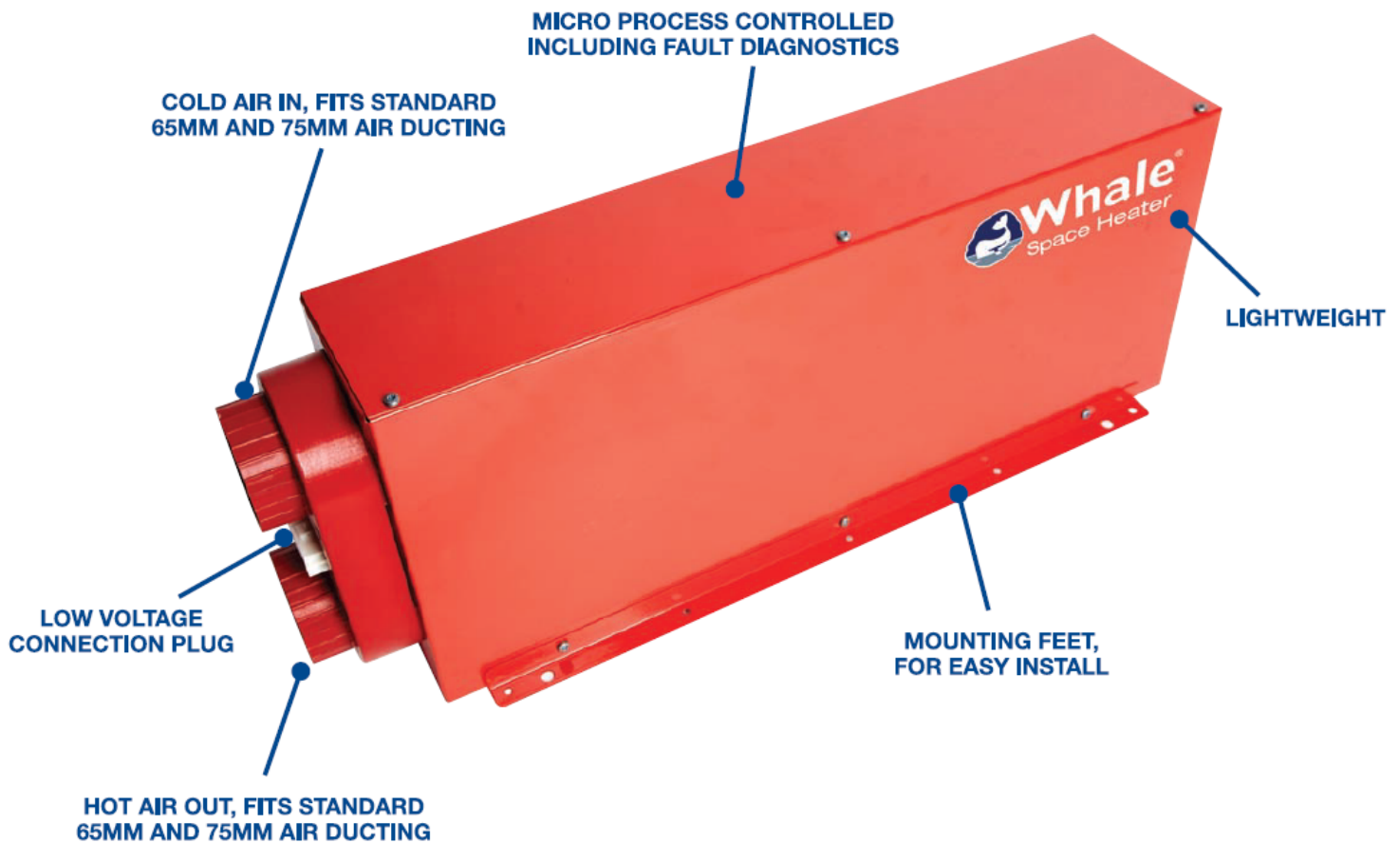
- Electric settings 500W/1000W/2000W
- Gas setting
- Circulation fan setting

Certified to the following directives

- Low Voltage Directive 2006/95/EC
- Gas Appliance Directive 90/396/EEC
- EMC Directive 2004/108/EC

Internal

- Compact design, high performance



Internal Models Quick Guide

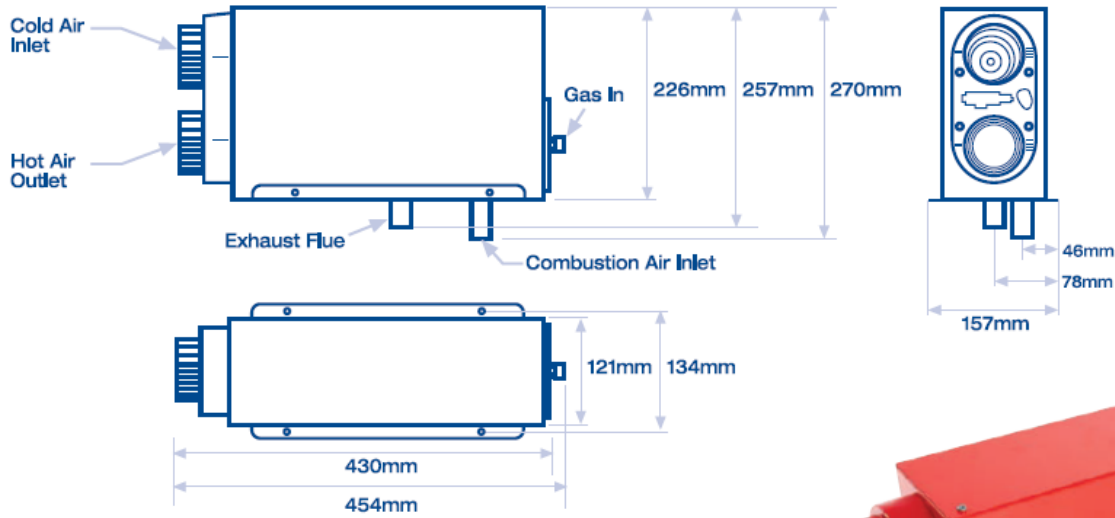
Features and Benefits

- Compact design - high performance
- Can be mounted in various locations and concealed if required
- Lightweight yet very robust
- Quiet night time setting available on electric model

Performance Data

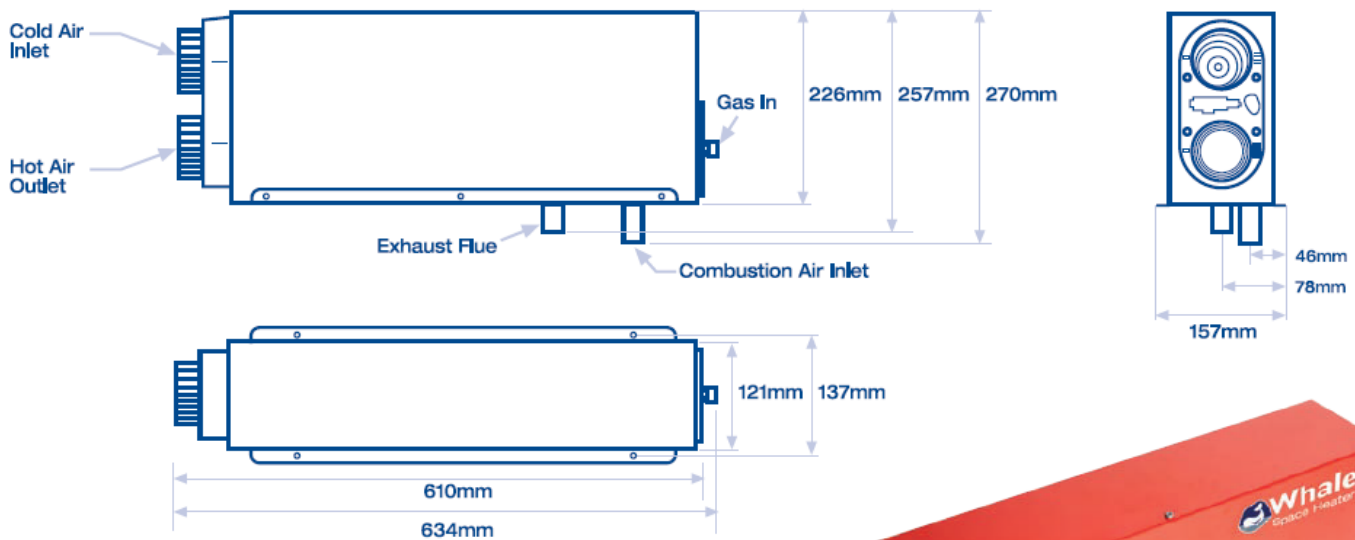
- Gas only model - only 5.4kg
- Gas and electric model - only 7.4kg
- Operating temperature range - 20 to 33 degrees C.
- Storage temperature range - 20 to 70 degrees C.

SH2201 Internal Gas Only Model



5.4 KG

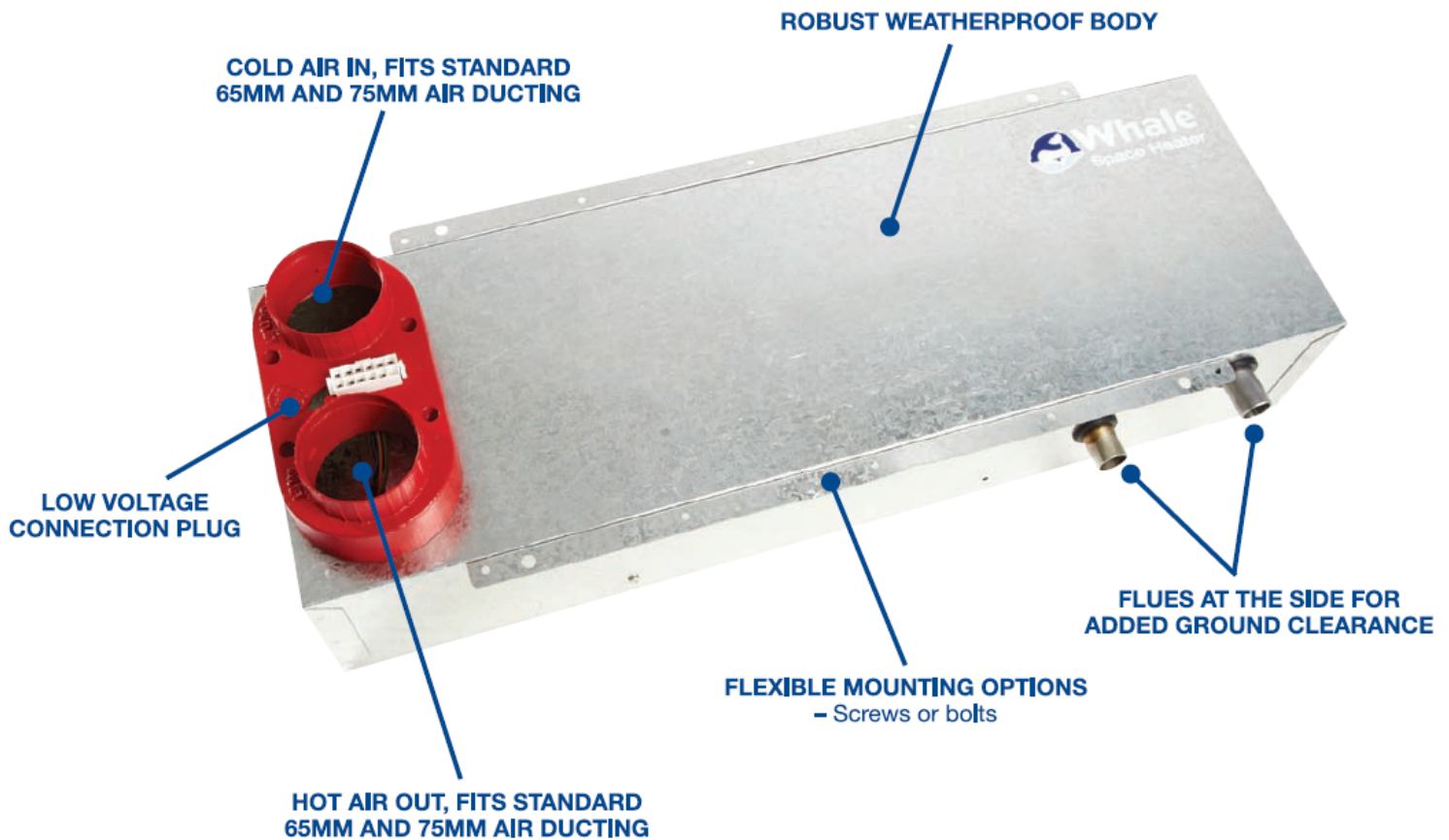
SH2202 Internal Gas and Electric Model



7.4 KG

Underfloor

- External location, more internal living space



Underfloor Models Quick Guide

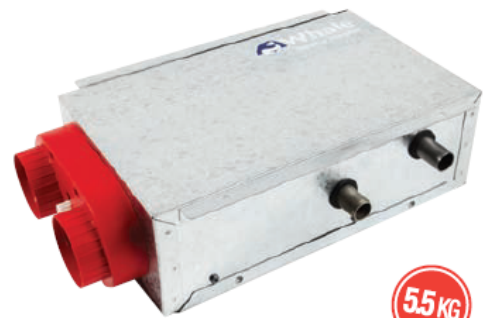
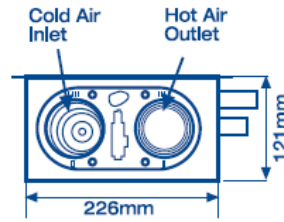
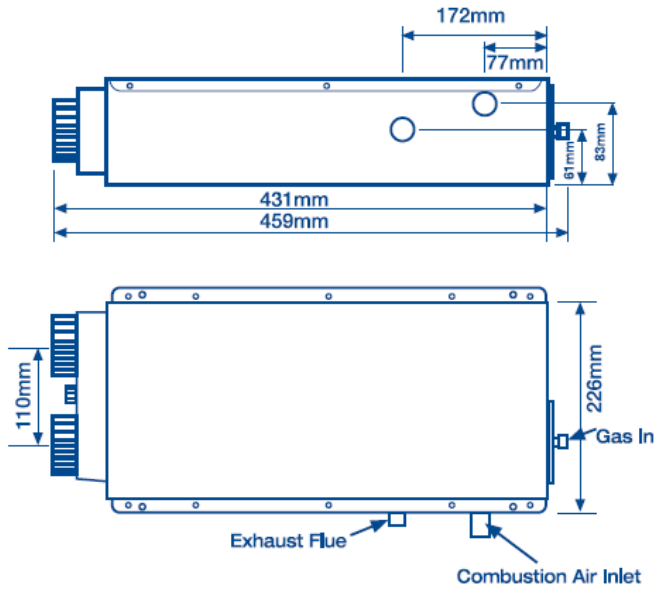
Features and Benefits

- External location - most compact installation option
- More internal living space
- Lightweight yet robust
- Built to withstand harsh external conditions
- Weatherproof body
- galvanised and sealed
- Flue system redesigned for shorter depth
- more clearance underneath the vehicle
- No flue vent through the floor removes the risk of water ingress
- Quiet night time setting available on electric model

Performance Data

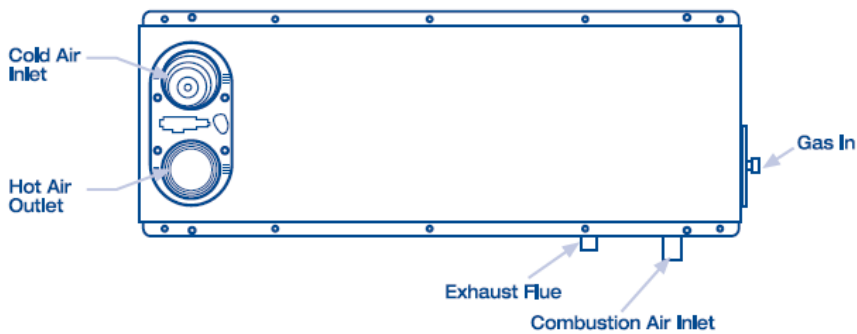
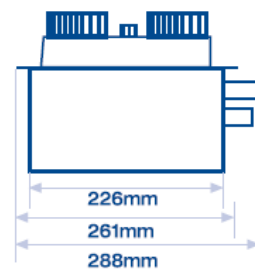
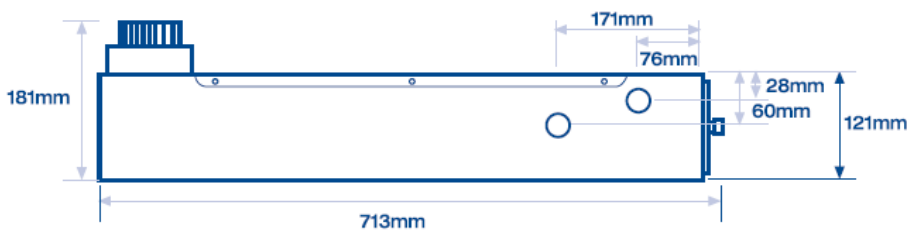
- Gas only model - only 5.4kg
- Gas and electric model - only 7.4kg
- Operating temperature range -20 to 33 degrees C.
- Storage temperature range -20 to 70 degrees C.

SH2211B Underfloor Gas Only Model



5.5 KG

SH2212B Underfloor Gas and Electric Model

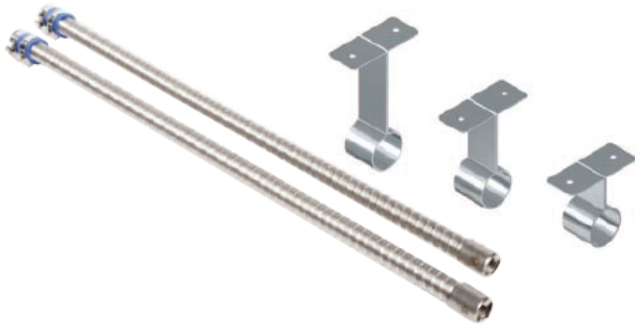


7.9 KG

Accessories

Flue Mounting Flexibility

- Flexible ducts for easy installation
- Flue pipes mounted under floor for safe and discreet, space saving.
- Available in various lengths, 0.75m (FK2075), 1.25m (FK2125), 2m (FK2020)



Simple to use Control Panel

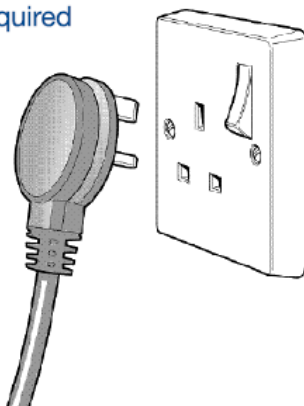
- Easy to mount
- One 3.5m cable with modern connectors
- Simple to use with position stops to prevent accidental adjustment
- Three Heat Settings
 - Quiet Night Time Setting (on electric 500W)
 - Heat Boost Setting (on electric 2000W)
 - Frost Protection Setting



Minimal Wiring

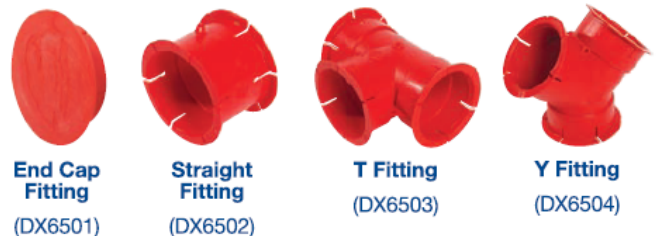
3 PIN PLUG

- Simply plug into mains
- No wiring required



Range of Ducting Fittings

- For standard 65mm air ducting for cold air inlet and hot air outlet



Choice of Vent Colours

To suit your interior decor (Beige, Black, and Cream)



Directional Fitting
Beige (DX6511)



Fixed Fitting
Beige (DX6516)



Directional Fitting
Black (DX6531)



Fixed Fitting
Black (DX6536)



Directional Fitting
Cream (DX6721)



Fixed Fitting
Cream (DX6526)

Contact Whale Support for list of spares available



Whale Water Systems

Old Belfast Road, Bangor, BT19 1LT, N.Ireland.
tel: +44 (0)28 9127 0531 fax: +44 (0)28 9146 6421
whalepumps.com info@whalepumps.com

Contact Whale Support for details of your local Whale Authorized Dealer

Whale Support: **0845 217 2933**

PLEASE NOTE: All Whale Space Heater products must be installed and serviced by a qualified gas engineer in accordance with the appliance installation instructions.

Whale's policy is one of continuous improvement and we reserve the right to change specifications without prior notice.

Illustrations are for guidance purposes only.

The Whale Space Heater is protected by the following patent and design applications. UK patent application number (0915825.4)

©2011 Copyright Munster Simms Engineering (also trading as Whale) all rights reserved

jm_cok_space heater_v3_jan12